

880

# Performance<sup>2</sup>

Kramer Allrad Wheel Loader  
880



**kramer**ALLRAD®

The Kramer 880: a machine of the future.





## Unique:

The biggest in the Kramer range. The most compact in its class. The most efficient on the market.

**COMPACT IS THE WINNING FORMULA. BECAUSE INTELLIGENCE, POWER AND MAXIMUM VERSATILITY IN A MODEST-SIZED PACKAGE HAS BECOME A FORMAT SYNONYMOUS WITH EFFICIENCY, ECONOMY AND SECURITY.**

Particular tasks require particular qualities and machines that are best fit for purpose. Only in this way it is possible to fulfill seemingly contradictory requirements: exceptional performance, high cost-effectiveness and technology with built-in future-proofing.

With a maximum bucket capacity of 2.5 m<sup>3</sup> and a special flair for deployment in the fields of construction, landscaping, horticulture and the recycling industry, optimized working processes are the order of the day.

## Top marks:

Its format leads the way.

Its handling inspires.

Its power satisfies.



### **Enforce strengths to bring all-round improvement: More quality just when you thought that it couldn't get any better.**

The Kramer 880 is built for hard work. Power to spare and incredibly adaptable. Reasons aplenty to take pride in your latest asset.

A machine that serves the driver as well as the operator. Packing a degree of versatility that is hard to match. Ready every day for a new challenge.

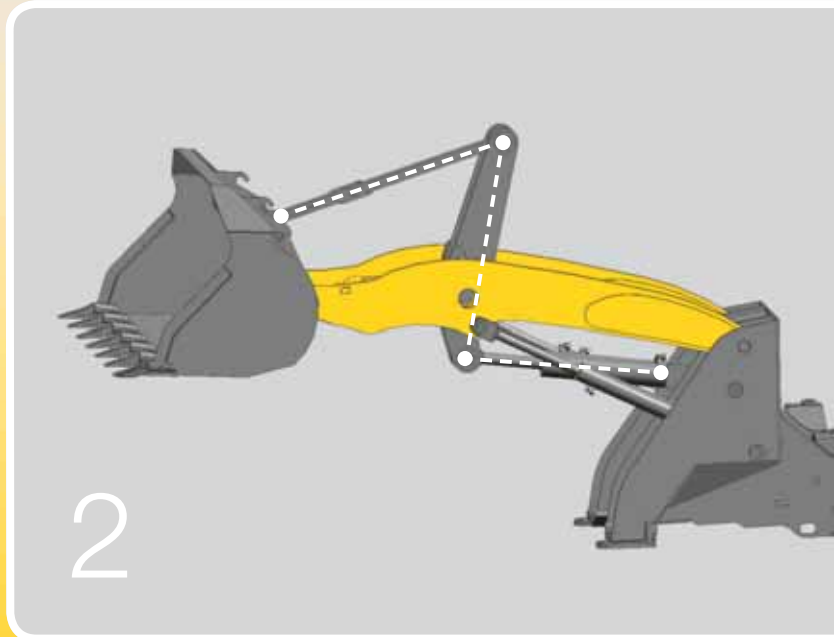
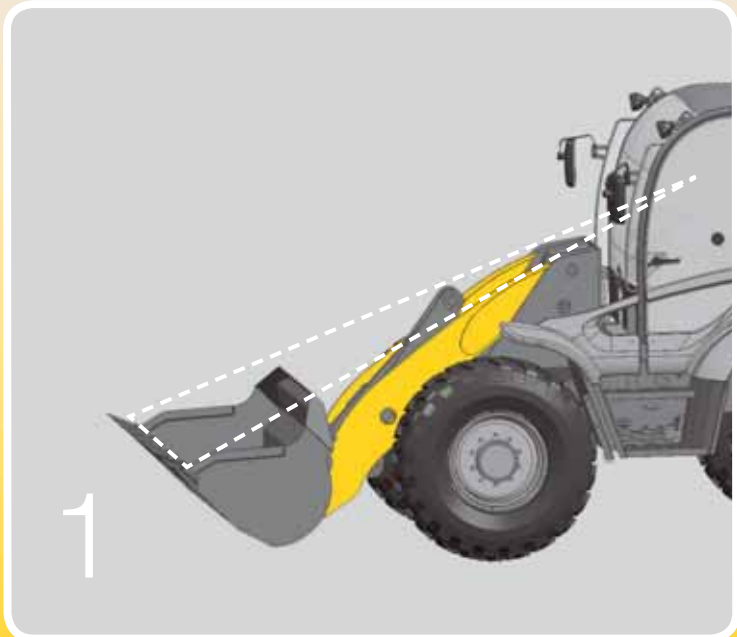
**1 Perfect visibility on the attachment and workspace thanks to clear-view kinematics.** Unimpeded vision, whatever the situation, for maximum safety and security.

**2 Performance-oriented developed kinematics.** Maximum breakaway forces coupled with 100% parallel motion. Hoses and cylinders are afforded optimal protection against damage.



# 880

**THE KRAMER 880 IS A SPECIALIST WHEN IT COMES TO VERSATILITY.** IT IS IDEAL WHENEVER YOU NEED A MACHINE YOU CAN BANK ON FOR RELIABLY SHIFTING LARGE VOLUMES OF MATERIALS QUICKLY, EFFICIENTLY AND SAFELY. IT IS AN INVESTMENT THAT WILL SOON BE PAYING FOR ITSELF - IN SPADES.

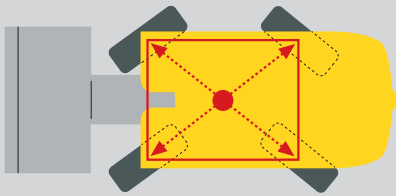


## Drive physics:

Logic is the focal point.

Safety is the constant.

Reliance lies in the law of nature.



**Turning on a sixpence:** The one-piece chassis keeps the dimensions compact. The four-wheel steering brings with it enormous manoeuvrability. Which means that even this, the biggest of the Kramer wheel loaders, can comfortably tackle the tightest of curves either indoors or out.



**Our focus remains constant: One-piece chassis, four-wheel steering and steering manoeuvrability from lock to lock.**

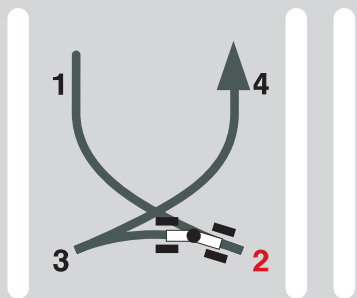
Only four-wheel steering guarantees a constant payload, since the centre of gravity of the machine only moves along the longitudinal axis and never shifts outwards. This prevents the risk of tipping, and even abrupt steering movements cannot throw the machine out of kilter.

**With each wheel loader from Kramer, you can always problem-free lift and transport what the loader has loaded. We call this “Load stability according to the stacker principle”.**

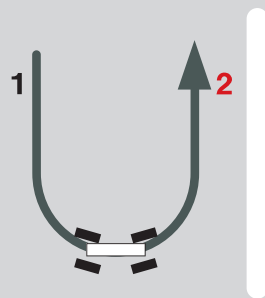


- Constant high payload over the entire steering angle range.
- No risk of tipping on tight bends.
- Security and speed maintained even on difficult terrain.
- Load stability with no ifs or buts.

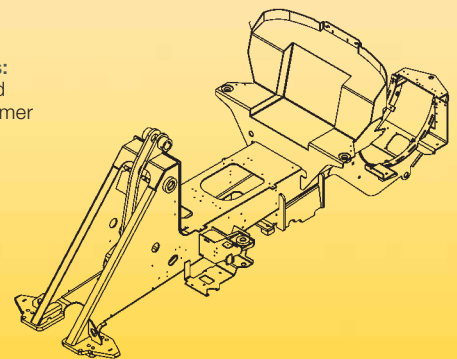
Articulated frame steering



Four-wheel steering



**One-piece chassis:**  
The tried and tested backbone of all Kramer wheel loaders.





**Custom fitting:**  
Ideally prepared.  
Perfectly adaptable.  
Designed for comfort.



**The decision to acquire a Kramer 880 wheel loader is invariably a matter of addressing specific individual objectives. For this reason, it has been designed as a universal tool carrier that can be customised to suit every need.**

In the cab of the Kramer 880, comfort is factored in. At the same time, however, the likely wishes of the customer have also been taken into account. The cab can be kitted out with options such as xenon working lights, auxiliary heating, heated rear view mirrors, air conditioning, radio unit, orthopaedic seat, etc.

With regard to performance options, Kramer also offers a wide variety of possibilities: Ecospeed high-speed drive, air brake unit, front and rear couplings for various tool attachments, high-performance hydraulics (140 l/min) for limitless hydraulic capability, unpressurised reflux line, manual throttle, low-speed control with speed controller, automatic bucket return, preheating for fuel, engine oil and hydraulic oil, and much more.





# 880

- 1 The crab steering makes the already highly manoeuvrable wheel loader even nimbler and more responsive to manoeuvring when space is at a premium.
- 2+3 Municipal authorities in mountainous regions in particular need machines that are capable of working flat-out. With snowchains fitted, you can be sure of maximum safety and perfect grip even on roads under a layer of snow.
- 4 With the optional protection against aggressive environments, your valuable 880 can also be reliably shielded from the corrosive effects of salt and other damaging elements.
- 5 Recycling loader with high-volume bucket: versatility, all-purpose capability and marathon endurance are combined into one indispensable performance package.
- 6 Large choice of options: Paint other than standard, Ecospeed high-speed drive, automatic coupling with tipper hydraulics and air brake unit for secure transport with maximum trailer load.
- 7 Entire trees with their roots can be dug up, transported and transplanted. For deep-rooted efficiency look no further.



**The recycling professional:**  
Extended loading heights.  
Massive volumes.  
Flexible deployment.

**HIGH-VOLUME  
HIGH-TILT  
BUCKET WITH  
CLAMP**

for safe handling of bulk  
material with a dump  
height of well over  
4 metres



**Four-wheel-drive manoeuvrability, power, stability and all-round visibility: with the Kramer 880 wheel loader you can clear away anything while cleaning-up in terms of value for money.**

The one-piece chassis can never jack-knife on tight bends, and what has been loaded can be driven away safely and tipped, even with fully locked wheels: bulk materials, bales, loose paper or other recyclables.

The compact design, the comfortable cab comfort and the excellent all-round visibility thanks to the 360° panoramic windows make the 880 a driver's favourite. So too does the possibility of operating all functions of the work hydraulics with just one hand. Even high-sided trucks can be loaded effortlessly and safely thanks to the unique high-tipping recycling bucket with its high-capacity loading volume and dump height of well over 4 metres.





**The 880 is the specialist for efficient handling of recyclables: with features that are designed with value, sustainability and user needs in mind.**

- Reversible fan motor
- Industrial cooler
- FOPS protective screen
- Front windscreen protective grille
- Protective grilles for headlamps
- Soot filter
- Air conditioning
- Special tyres
- Central lubrication unit
- Reversing warning device
- Protective ventilation unit
- Aggressive environments pack
- Comprehensive range of appropriate attachments



**Shortening distances, saving time, saving money:** When space is tight, a tight steering lock and small turning radius really come into their own. Not only do these features speed up the working processes, they also enhance productivity and contribute significantly to keeping to a minimum the dimensions of the premises and the infrastructure.





## A valuable asset:

High-grade components. Low servicing expenditure. Comfort cab for round-the-clock deployment.

All the components for the daily checks as well as servicing and maintenance on the vehicle can be easily accessed via the generously-dimensioned engine cover.



### Value in every detail, value-for-money benefits.

The Kramer 880 features only high-grade components from top-name manufacturers, so that everything fits together like clockwork. This guarantees lasting and trouble-free operation. There is less wear and tear, and the follow-up costs are easy to reckon.

The machinery and work processes can be controlled efficiently and effortlessly from the cab. The solid technology, mature design and hydraulics competence of the Kramer stable make the machine ready to tackle whatever any new day may bring.

The front axle, for example, integrates maintenance-free multidisc brakes (with optional Ecospeed in both axles). The 100% differential lock can be actuated for both axles via the joystick: a great aid for extra traction on difficult terrain.

Efficiency will become increasingly important in the future. With Kramer, you always have the best tool to hand. And with the 880, you are really on to a winner.

# 880



- Comfort cab with individually adjustable steering column and joystick console
- Height and tilt-adjustable steering column and comfort driver's seat
- Access from both sides thanks to the fold-away driving console
- All hydraulic functions via joystick control
- Proportional technology for 3rd and 4th control circuits (optional) (continuous operation possible at the touch of a switch)
- Auxiliary control circuit for front & rear tool attachments (optional)
- Automatic steering synchronisation
- Auxiliary heating and A/C (optional)



## Saving time:

The Kramer quick-hitch system.

Stepless high-speed drive.

Towing vehicle with trailer coupling.



- 1 Simply drive up to the **implement**,
- 2 Hitch it up using the hydraulic controls **in the cab**
- 3 At the touch of a button and in full view **secure or detach it**.



**For 40 years it has been possible to exchange attachments for Kramer wheel loaders in a matter of seconds. Just drop, swap and lock.**

- Locking above the bucket pin height.
- Safety valve to prevent accidental release.
- Handling and permanent visual contact from the driver's cab.



# 880



**MAX. PERMISSIBLE TRAILER LOADS\***

**WHEEL LOADER  
880**

**without brake**

750 kg

**with brake  
automat. with  
bar coupling**

8,000 kg

**with brake  
automat. bar coupling  
air brake unit**

13,500 kg

\*Subject to country-specific traffic regulations. For details please ask your Kramer dealer.



**Designed for top performance; programmed for economy:  
Ecospeed high-speed drive on the Kramer 880.**

Ecospeed is a continuously variable high-speed drive, co-developed by Kramer, that combines maximum efficiency with optimal environmental sustainability. Ecospeed works intelligently and continuously optimises the interplay between drive performance, traction force, fuel consumption and emission values. In this way, Ecospeed translates working requirements into the best use of resources, comfort and time-saving. With the performance characteristics of the 880, this proves particularly valuable:

- For safety reasons, speeds of over 20 kph are only enabled, once front axle steering has been activated.
- Maximum efficiency in all driving and working situations.
- Sensitive machine control.
- No abrupt and disruptive switchovers.
- Stepless from 0–35 kph.
- Full traction force over the entire speed range.
- Easy hill starts even with a heavy load.
- Reduced fuel consumption.



**Excellent ancestry:**  
Supreme technology.  
Decades of experience.  
State-of-the-art manufacturing.

ALL KRAMER WHEEL LOADERS LEAVE THE PRODUCTION LINE OF A LEADING COMPACT MACHINERY MANUFACTURER BASED IN THE HEART OF EUROPE. "MADE IN GERMANY" TRULY RESULTS IN QUALITY, STABILITY AND CONSISTENCY THAT YOU CAN RELY ON. EVERY MODEL IS BUILT TO LAST AND IS A MODULAR ELEMENT OF AN OVERALL SYSTEM.

**ONE PART EXACTLY FITS ANOTHER AND EVERYTHING IS FUTURE-PROOFED FOR LONG-TERM COST-EFFECTIVENESS.**

MUNICH  
Pfullendorf





Max. engine output

Bucket capacity

Max. payload

Weight

Turning radius (Tyres)

Max. speed

Max. load-over height

#### WHEEL LOADER 50 SERIES

<b>250 ROPS</b>	17 kW / 23 hp	0,25–0,45 m <sup>3</sup>	870 kg	1540 kg	1970 mm	0–20 kph	2680 mm
<b>350 ROPS</b>	27 kW / 37 hp	0,35–0,55 m <sup>3</sup>	960 kg	1620 kg	1970 mm	0–20 kph	2680 mm
<b>350 CAB</b>	27 kW / 37 hp	0,35–0,55 m <sup>3</sup>	960 kg	1720 kg	1970 mm	0–20 kph	2680 mm
<b>750</b>	45 kW / 61 hp	0,75–1,2 m <sup>3</sup>	2300 kg	4200 kg	2550 mm	0–30 kph	2915 mm
<b>850</b>	45 kW / 61 hp	0,85–1,4 m <sup>3</sup>	2350 kg	4500 kg	2550 mm	0–30 kph	3100 mm
<b>950</b>	58 kW / 79 hp	0,95–1,6 m <sup>3</sup>	2500 kg	4700 kg	2780 mm	0–30 kph	3120 mm
<b>1150</b>	58 kW / 79 hp	1,15–1,8 m <sup>3</sup>	3500 kg	5900 kg	2850 mm	0–30 kph	3235 mm

#### WHEEL LOADER 80 SERIES

<b>180</b>	23 kW / 31 hp	0,3–0,4 m <sup>3</sup>	950 kg	1860 kg	1940 mm	0–20 kph	2458 mm
<b>280</b>	28 kW / 40 hp	0,65–1,1 m <sup>3</sup>	1900 kg	3300 kg	2430 mm	0–20 kph	2820 mm
<b>380</b>	44 kW / 60 hp	0,75–1,2 m <sup>3</sup>	2300 kg	4500 kg	2550 mm	0–40 kph	2915 mm
<b>480</b>	44 kW / 60 hp	0,85–1,4 m <sup>3</sup>	2550 kg	4800 kg	2550 mm	0–40 kph	3100 mm
<b>580</b>	56 kW / 76 hp	0,95–1,5 m <sup>3</sup>	2900 kg	5400 kg	2780 mm	0–40 kph	3120 mm
<b>680</b>	56 kW / 76 hp	1,05–1,6 m <sup>3</sup>	3100 kg	5900 kg	2790 mm	0–40 kph	3250 mm
<b>880</b>	88 kW / 120 hp	1,5–2,5 m <sup>3</sup>	4500 kg	8400 kg	3450 mm	0–35 kph	3530 mm

#### TELE WHEEL LOADER

<b>750T</b>	45 kW / 61 hp	0,75–1,2 m <sup>3</sup>	2000 kg	5100 kg	2550 mm	0–30 kph	4510 mm
<b>580T</b>	56 kW / 76 hp	0,95–1,5 m <sup>3</sup>	2500 kg	5500 kg	2780 mm	0–40 kph	4540 mm

#### TELEHANDLERS

<b>3307</b>	88 kW / 120 hp	1,2–2,5 m <sup>3</sup>	3300 kg	7200 kg	3600 mm	0–40 kph	7050 mm
<b>4507</b>	88 kW / 120 hp	1,2–3,0 m <sup>3</sup>	4400 kg	8100 kg	3600 mm	0–40 kph	7050 mm
<b>4009</b>	88 kW / 120 hp	1,2–3,0 m <sup>3</sup>	4000 kg	8600 kg	3850 mm	0–40 kph	8825 mm

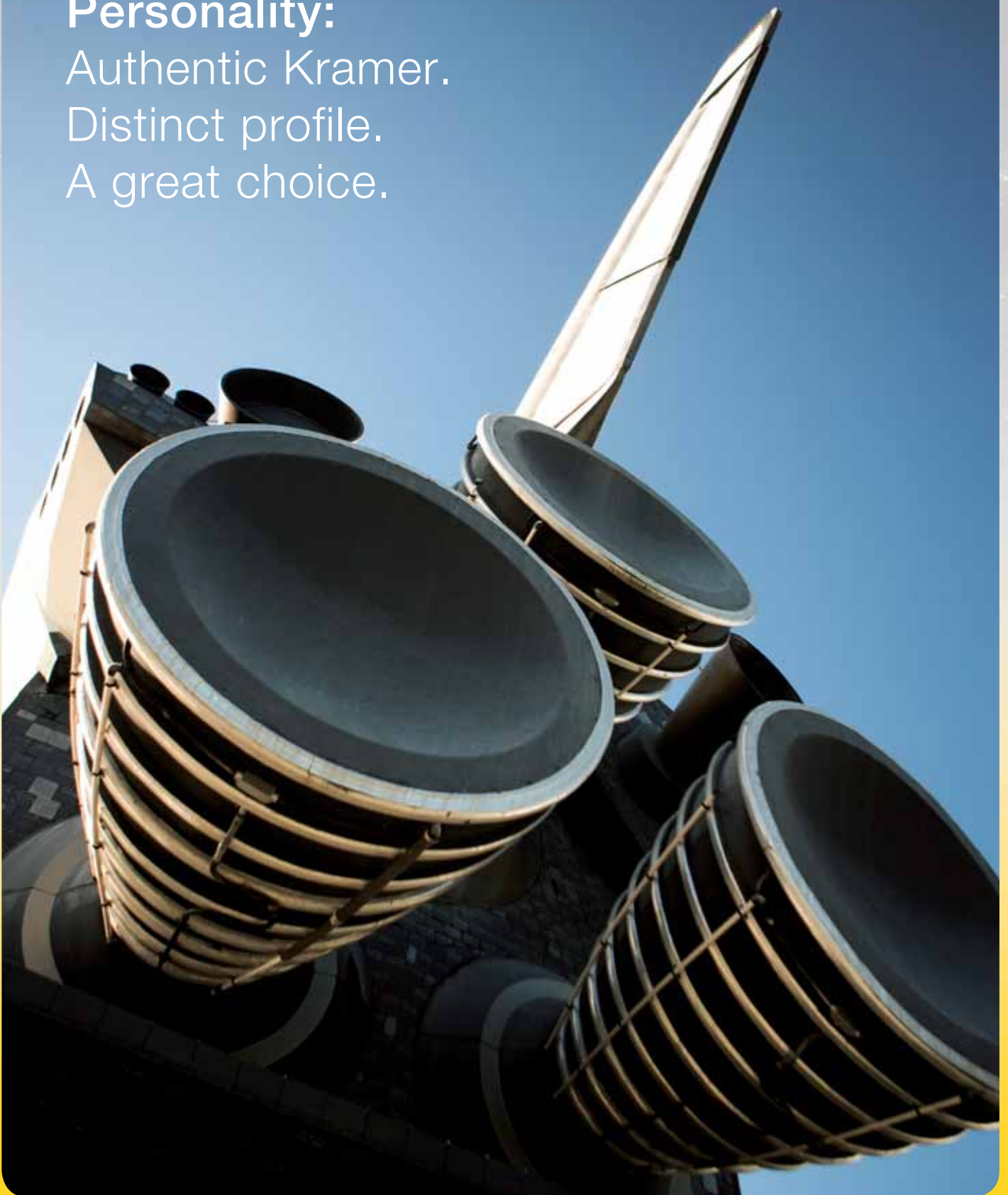


## Personality:

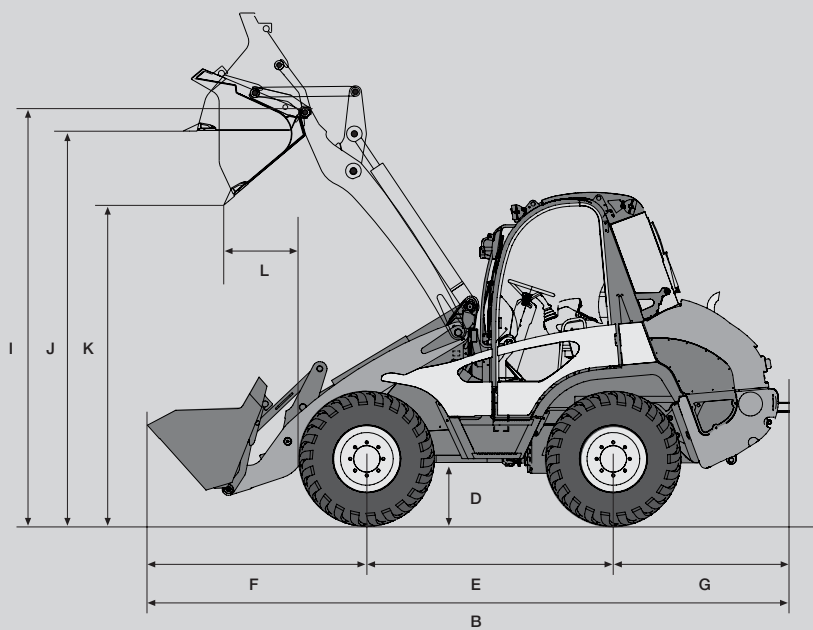
Authentic Kramer.

Distinct profile.

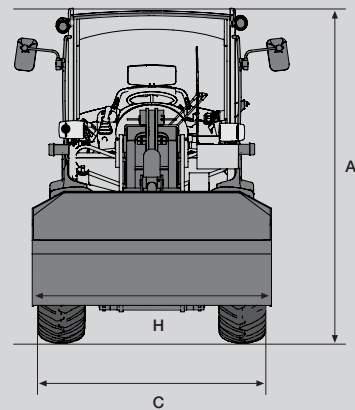
A great choice.



# 880



With standard bucket and standard tyres



With standard bucket and standard tyres  
(Front view)

## DIMENSIONS

**880**

A	Height	2,950 mm
B	Length	6,550 mm
C	Width	2,240 mm
D	Ground clearance	450 mm
E	Wheelbase	2,300 mm
F	Centre of front axle to tip of teeth	2,500 mm
G	Centre of rear axle to end of vehicle	1,750 mm
H	Bucket width	2,300 mm
I	Pin height	3,780 mm
J	Load-over height	3,530 mm
K	Dump height	2,900 mm
L	Dump reach	820 mm
	Pallet height	3,470 mm

**OPERATIONAL DATA****880**

Bucket capacity	1.5 – 2.5 m <sup>3</sup>
Weight	8400 kg
Turning radius Tyres	3450 mm
Turning radius Track circle	3230 mm
Turning radius Bucket arm	4750 mm

**ENGINE**

Make	Deutz
Type/Mode	TCD 2012 L04 2V, 4-cylinder turbocharged engine with charge-air cooler
Output	88 kW / 120 hp @ 2400 rpm
Max. torque	420 Nm @ 1500 rpm
Displacement	4038 cm <sup>3</sup>
Emissions	tested and certified as per 97/68 EC, emissions standard level 3

**POWER TRANSMISSION**

Drive	Continuously variable hydrostatic axial-piston gearbox 4-wheel drive, brake/inching pedal
Drive speed	0 – 20 kph 0 – 35 kph (optional)
Axles	Planetary steering axles
Total oscillation angle	18°
Differential lock	100 % locked
Service brake	Hydraulic multidisc
Parking brake	Spring-operated multidisc
Standard tyres	15,5-25

**STEERING AND WORK HYDRAULICS**

Mode of function	Hydrostatic four-wheel steering
Steering pump	Separate steering pump
Steering ram	Double-acting, with automatic synchronization
Max. steering angle	2 x 35°
Work pump	Axial-piston variable displacement pump
Flow rate	140 l/min
Pressure	270 bar
Filter	Reflux filter
Pressure limitation	Primary pressure limitation, secondary pressure in tilt ram/lift ram

**KINEMATICS**

Model	Z-kinematics
Lifting capacity / Tear-out force	66 kN / 64 kN
Raise / Lower	4.8 sec / 2.5 sec
Tilt in / Dump out	1.2 sec / 1.0 sec
Tilt in / Tilt out angle	45° / 45°
Tipping load (standard bucket / pallets)	5400 kg / 4375 kg
Payload S = 1.25 / 1.67 (pallets)	3500 kg / 2620 kg
Payload in transport position S = 1.25 (pallets)	4500 kg
Scraping depth	100 mm

**CAPACITIES**

Fuel tank	125 l
Hydraulic oil tank	135 l

**NOISE EMISSIONS**

as per 2000/14/EC

**ELECTRIC SYSTEM**

Operating voltage / Battery	12 V / 88 Ah
Alternator	95 A
Starter	3.0 kW



**CAB**

Soundproofed, vibration-insulated, 4-point suspension cab with large, curved, tinted windows. Excellent all around visibility from a spacious and comfortable work environment for increased safety and efficiency. Extremely roomy cab with a large number of storage possibilities. Optimized visibility - even at maximum dump height.

**Access**

The cab can be accessed from both sides using the large and convenient steps, and on the right thanks to a fold-away joystick console.

**Doors**

The fully-glazed doors provide optimal side visibility. Both doors can be opened and locked in two positions (gap or 180°). There is full access through the right-hand door by folding back the joystick console.

**Driver's seat**

Mechanically-sprung comfort seat with automatic seat belt, weight, backrest and dual longitudinal adjustment.

**Heating, ventilation**

Powerful 2-speed heating and ventilation unit with recirculated-air mode.

**Dashboard**

Neatly designed instrument console with control lights and ergonomically arranged tip switches.

**Steering column**

Telescopic and tilting.

**Joystick console**

Ergonomically laid-out cockpit controls such as:

- hydraulically pre-controlled joystick for raising/lowering the boom and tilting in/out, with rocker switch for selecting the drive direction. Integrated 3rd control circuit for locking/unlocking the quick-hitch and for operating hydraulically-actuated implements, and switch for 100% differential lock
- Switch for 3rd control circuit (continuous operation).

**Rearview mirrors**

Large outside mirrors, foldable to notched positions on either side.

**Sun visor****Screen wipers**

Front and back. The front twin windscreen blades on the Kramer have an extremely large wipe radius, offering the driver unimpaired vision through 85% of the windscreen glass. The large washer fluid container offers extended use before the need for refill.

**Floor mat**

The floor mat is level with the frame enabling easy cleaning of the cab.

**Cab lights****Radio installation****12V socket****LIGHTS****Headlights**

2 at front with main / dipped beam and side light

**Working lights**

1 at left rear

**Rear lights, brake lights, indicators****ENGINE COVER**

Opens wide to provide easy access for maintenance.

**HYDRAULIC FAN**

For appropriate ventilation.

**PROPORTIONAL TECHNOLOGY**

Enables sensitive control of hydraulically operated implements (3rd control circuit).

**QUICK-HITCH FACILITY**

Hydraulic.

**ENGINE AIR SUPPLY**

With air filter safety cartridge.

**KEY SYSTEM**

One-key system for doors, ignition and engine hatch.

## OPTIONS

**CAB**

Air-sprung driver's seat, FOPS protective screen, windscreen grille, auxiliary heating, air conditioning, tinted glass, radio unit, rotating beacon, 1 rear working light, 2 front working lights, heated rearview mirrors

**PERFORMANCE OPTIONS**

4th control circuit for front and rear attachments

Unpressurised front and rear reflux

Floating position

Load stabilizer

Electric socket for front and rear attachments

Manual throttle

Low-speed control

Fuel, engine oil and hydraulic oil pre-heating

Trailer coupling

Air brake unit

Reversible fan

**TYRES**

Wide-base tyres, traction tyres, tyres for industrial applications

Tyre puncture protection kit

Foam-filled tyres (up to 20 km/h)

**SAFETY AND SECURITY**

Warning stripes

Engine immobiliser

Toolkit

Hose burst valves for lift and tilt rams

Protection against aggressive environments

Reversing warning system

Battery master switch

**ECOSPEED**

Ecospeed 0-35 kph

**PAINT OTHER THAN STANDARD****BIODEGRADABLE OIL**

PANOLIN HLP Synth46

**WARRANTY EXTENSION**

## ATTACHMENTS

Pallet forks, standard bucket, grab bucket, lightweight materials bucket, super-lightweight materials bucket, high-tilt bucket, side-swing bucket, bulk materials bucket.

Other attachments on request.

You won't find the original just anywhere:  
AUTHORIZED KRAMER PARTNERS ARE ALWAYS THE RIGHT ADDRESS.

09/2009 art.nr. 1.0001.47961



**Kramer-Werke GmbH**  
Wacker Neuson Straße 1  
D-88630 Pfullendorf  
Tel. 00 800 90 20 90 20  
Fax +49(0)7552 92 88-234  
info@kramer.de  
www.kramer.de



**kramer**ALLRAD®